

**Driver LC 44W 1050mA fixC SC ADV2**

advanced series

**Product description**

- \_ Fixed output LED driver
- \_ Can be either used built-in or independent with clip-on strain-relief (see accessory)
- \_ Independent LED driver with cable clamps
- \_ For luminaires of protection class I and protection class II
- \_ Temperature protection as per EN 61347-2-13 C5e
- \_ Constant current LED driver
- \_ Output current 1,050 mA
- \_ Max. output power 44.1 W
- \_ Nominal lifetime up to 50,000 h
- \_ 5 years guarantee (conditions at <https://www.tridonic.com/manufacture-guarantee-conditions>)

**Housing properties**

- \_ Casing: polycarbonate, white
- \_ Type of protection IP20

**Functions**

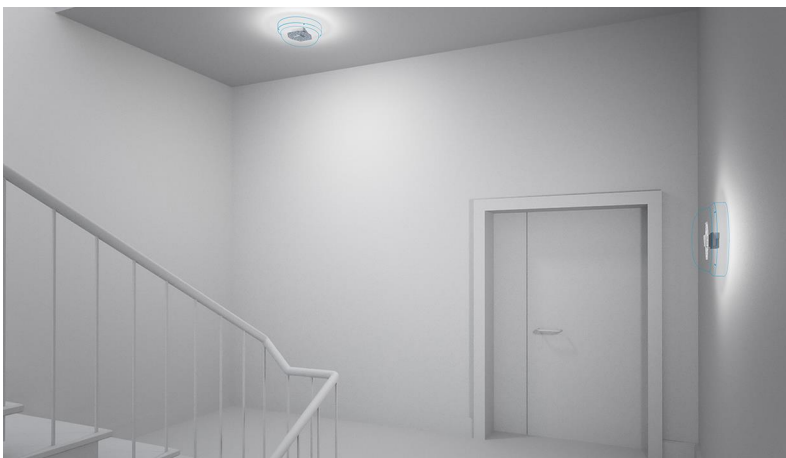
- \_ Overload protection
- \_ Short-circuit protection
- \_ No-load protection

**Typical applications**

- \_ For spot light and downlight in retail and hospitality applications
- \_ For panel light and area light in office and education application

**Website**

<http://www.tridonic.com/87500895>



Spotlights



Downlights



Linear



Area



Floor | Wall



Free-standing



Street



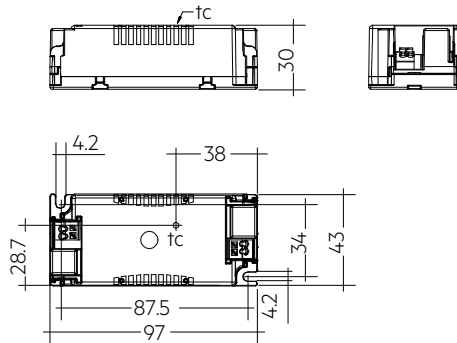
Decorative



High bay

## Driver LC 44W 1050mA fixC SC ADV2

advanced series



## Ordering data

| Type                       | Article number | Packaging, carton | Packaging, low volume | Packaging, high volume | Weight per pc. |
|----------------------------|----------------|-------------------|-----------------------|------------------------|----------------|
| LC 44/1050/42 fixC SC ADV2 | 87500895       | 40 pc(s).         | 880 pc(s).            | 4,400 pc(s).           | 0.107 kg       |

## Technical data

|  |                 |
|--|-----------------|
| Rated supply voltage                                       | 220 – 240 V     |
| AC voltage range   | 198 – 264 V     |
| Mains frequency  | 50 / 60 Hz      |
| Overvoltage protection                                     | 320 V AC, 1 h   |
| THD (at 230 V, 50 Hz, full load)                           | ≤ 15 %          |
| Output current tolerance <sup>①</sup>                      | ± 7.5 %         |
| Typical output LF current ripple at full load <sup>②</sup> | ± 5 %           |
| Output P_ST_LM (at full load)                              | ≤ 1             |
| Output SVM (at full load)                                  | ≤ 0.4           |
| Starting time (at 230 V, 50 Hz, full load)                 | ≤ 0.5 s         |
| Turn off time (at 230 V, 50 Hz, full load)                 | ≤ 0.5 s         |
| Hold on time at power failure (output)                     | 0 s             |
| Ambient temperature ta                                     | -20 ... +50 °C  |
| Ambient temperature ta (at lifetime 50,000 h)              | 50 °C           |
| Storage temperature ts                                     | -40 ... +80 °C  |
| Mains burst capability                                     | 2 kV            |
| Mains surge capability (between L - N)                     | 1 kV            |
| Mains surge capability (between L/N - PE)                  | 2 kV            |
| Surge voltage at output side (against PE)                  | 3 kV            |
| Lifetime   | up to 50,000 h  |
| Guarantee (conditions at www.tridonic.com)                 | 5 Year(s)       |
| Dimensions L x W x H                                       | 97 x 43 x 30 mm |

## Approval marks



## Standards

EN 55015, EN 61000-3-2, EN 61000-3-3, EN 61347-1, EN 61347-2-13, EN 61547, EN 62384

## Specific technical data

| Type                       | Output current <sup>③</sup> | Input current (at 230 V, 50 Hz, full load) | Max. input power | Typ. power consumption (at 230 V, 50 Hz, full load) | Output power range | λ at full load <sup>④</sup> | Efficiency at full load | λ over full operating range (min.) <sup>④</sup> | Efficiency at min. load | Min. forward voltage | Max. forward voltage | Max. output voltage (U-OUT) | Max. peak output current at full load | Max. peak output current at min. load | Max. casing temperature tc |
|----------------------------|-----------------------------|--|------------------|---|--------------------|-----------------------------|-------------------------|---|-------------------------|----------------------|----------------------|-----------------------------|---------------------------------------|---------------------------------------|----------------------------|
| LC 44/1050/42 fixC SC ADV2 | 1,050 mA                    | 230 mA                                     | 50 W             | 48.7 W  | 31.5 – 44.1 W      | 0.95                        | 90 %                    | 0.95  | 88 %                    | 30 V                 | 42 V                 | 60 V                        | 1,181 mA                              | 1,181 mA                              | 80 °C                      |

① The trend between min. and full load is linear and depend on load's V-I character.

② Typical value at full load, depend on load's V-I character.

- ③ Output current is mean value.
- ④ Test result at 230 V, 50 Hz.

## Strain-relief set 43x30mm

Accessory

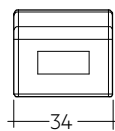
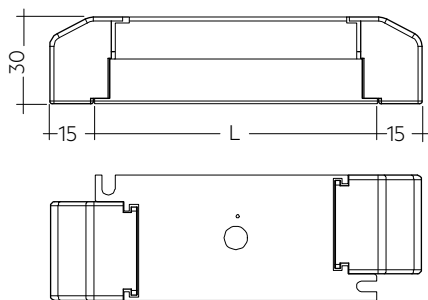


## Product description

- \_ Optional strain-relief set for independent applications
- \_ Transforms the LED driver into a fully class II compatible LED driver (e.g. ceiling installation)
- \_ Easy and tool-free mounting to the LED driver, screwless cable-clamp channels for long strain-relief (30 x 43 x 30 mm)
- \_ With screws for short strain-relief (15 x 34 x 30 mm)
- \_ Overall length = length L (LED driver) + 2 x 30 mm (long strain-relief set), 2 x 15 mm (short strain-relief) or long and short strain-relief any combination
- \_ Standard SC (L = 30 mm) available as non-pre-assembled and pre-assembled
- \_ Short SC (L = 15 mm) only pre-assembled available

## Website

<http://www.tridonic.com/28001168>



Permissible  
cable jacket  
diameter:  
3 – 9 mm

## Ordering data

| Type                              | Article number | Packaging, carton <sup>①</sup> | Packaging, outer box | Weight per pc. |
|-----------------------------------|----------------|--------------------------------|----------------------|----------------|
| ACU SC 43x30mm CLIP-ON SR SET     | 28001168       | 10 pc(s).                      | 500 pc(s).           | 0.038 kg       |
| ACU SC 43x30mm CLIP-ON SR SET 300 | 28001351       | 300 pc(s).                     | 300 pc(s).           | 0.038 kg       |
| ACU SC 30x43x30mm CLIP-ON SR PA   | 28001699       | 10 pc(s).                      | 500 pc(s).           | 0.021 kg       |
| ACU SC 15x43x30mm CLIP-ON SR PA   | 28001574       | 10 pc(s).                      | 1,200 pc(s).         | 0.010 kg       |

## Approval marks



<sup>①</sup> 28001168: A carton of 10 pcs. is equal to 10 sets, each with 2 strain-reliefs parts. 28001351: A carton of 300 pcs. is equal to 300 sets, each with 2 strain-reliefs parts. 28001699 + 28001574: A carton contains exactly 10 pcs. strain-reliefs (no sets).

## 1. Standards

EN 55015  
 EN 61000-3-2  
 EN 61000-3-3  
 EN 61347-1  
 EN 61347-2-13  
 EN 61547  
 EN 60598-1  
 EN 62384

### 1.1 Glow-wire test

according to EN 61347-1 with increased temperature of 850 °C passed.

## 2. Thermal details and lifetime

### 2.1 Expected lifetime

| Expected lifetime          |          |                    |                    |
|----------------------------|----------|--------------------|--------------------|
| Type                       | ta       | 40 °C              | 50 °C              |
| LC 44/1050/42 fixC SC ADV2 | tc       | 70 °C <sup>®</sup> | 80 °C <sup>®</sup> |
|                            | Lifetime | 100,000 h          | 50,000 h           |

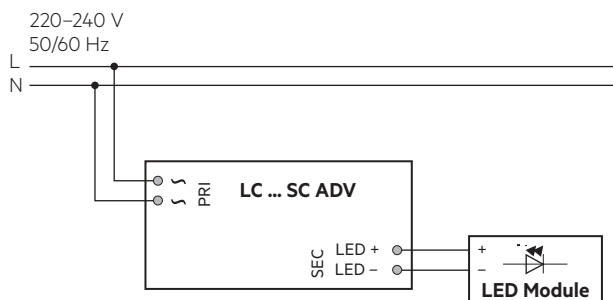
<sup>®</sup> Test result at max. output voltage.

The LED drivers are designed for a lifetime stated above under reference conditions and with a failure probability of less than 10 %.

The relation of tc to ta temperature depends also on the luminaire design. If the measured tc temperature is approx. 5 K below tc max., ta temperature should be checked and eventually critical components (e.g. ELCAP) measured. Detailed information on request.

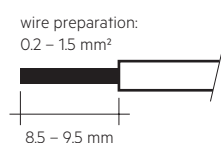
## 3. Installation / wiring

### 3.1 Circuit diagram



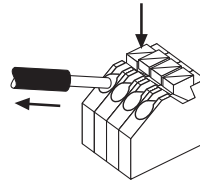
### 3.2 Wiring type and cross section

For wiring use stranded wire with ferrules or solid wire from 0.2–1.5 mm<sup>2</sup>. Strip 8.5–9.5 mm of insulation from the cables to ensure perfect operation of the push-wire terminals. Use one wire for each terminal connector only.



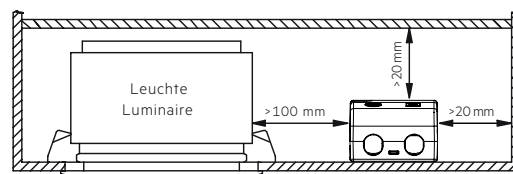
### 3.3 Release of the wiring

Press down the “push button” and remove the cable from front.



### 3.4 Fixing conditions when using as independent Driver with Clip-On

Dry, acidfree, oilfree, fatfree. It is not allowed to exceed the maximum ambient temperature (ta) stated on the device. Minimum distances stated below are recommendations and depend on the actual luminaire. Is not suitable for fixing in corner.



### 3.5 Wiring guidelines

- All connections must be kept as short as possible to ensure good EMI behaviour.
- Mains leads should be kept apart from LED driver and other leads (ideally 5 – 10 cm distance)
- Max. length of output wires is 2 m.
- To comply with the EMC regulations run the secondary wires (LED module) in parallel.
- Secondary switching is not permitted.
- Incorrect wiring can damage LED modules.
- To avoid the damage of the Driver, the wiring must be protected against short circuits to earth (sharp edged metal parts, metal cable clips, louver, etc.).

### 3.6 Replace LED module

1. Mains off
2. Remove LED module
3. Wait for 20 seconds
4. Connect LED module again

Hot plug-in or secondary switching of LEDs is not permitted and may cause a very high current to the LEDs.

### 3.7 Installation instructions

The LED module and all contact points within the wiring must be sufficiently insulated against 3 kV surge voltage. Air and creepage distance must be maintained.

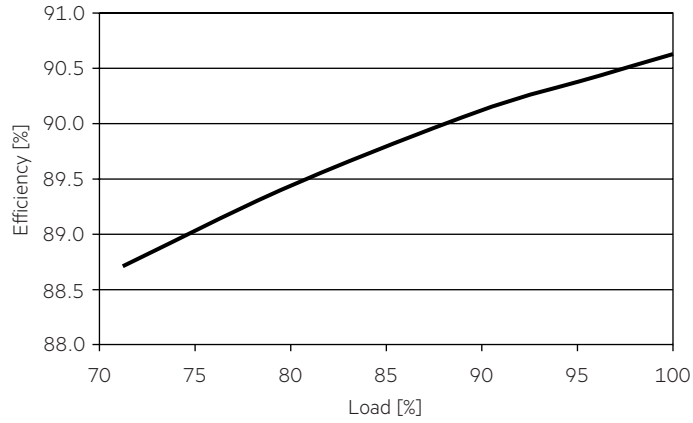
### 3.8 Mounting of device

Max. torque for fixing: 0.5 Nm/M4

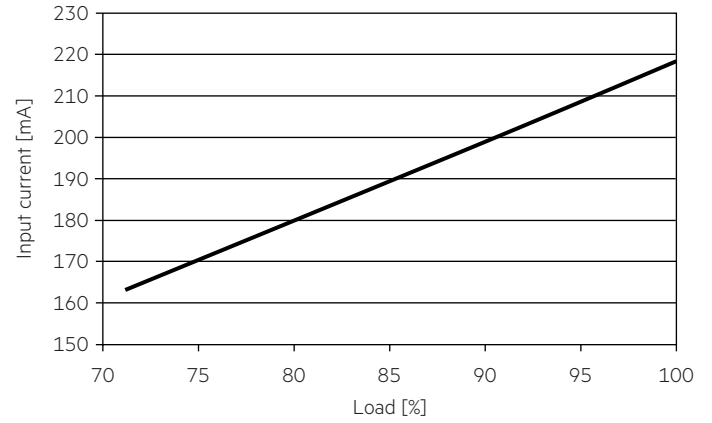
#### 4. Electrical values

##### 4.1 Diagrams

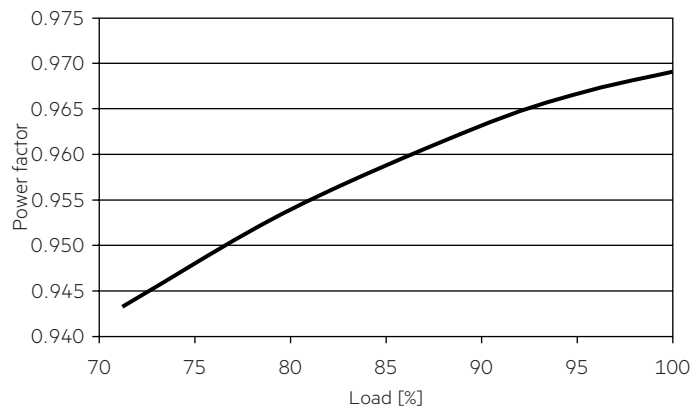
4.1.1 Efficiency vs load



4.1.4 Input current vs load

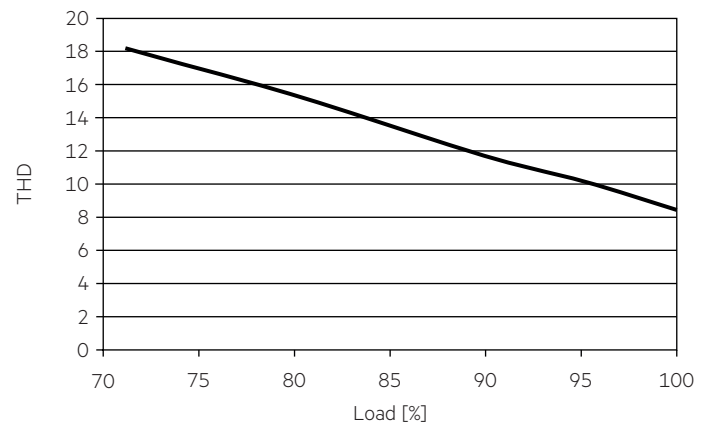


4.1.2 Power factor vs load

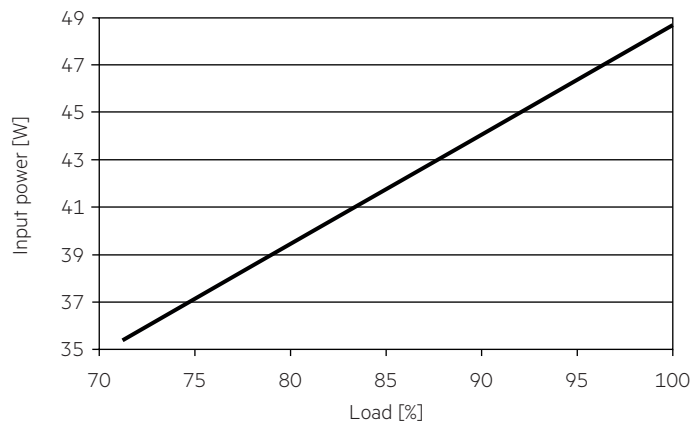


4.1.5 THD vs load

THD without harmonic < 5 mA (0.6 %) of the input current:



4.1.3 Input power vs load



#### 4.2 Maximum loading of automatic circuit breakers in relation to inrush current

| Automatic circuit breaker type    | C10                 | C13                 | C16                 | C20                 | B10                 | B13                 | B16                 | B20                 | Inrush current   |        |
|-----------------------------------|---------------------|---------------------|---------------------|---------------------|---------------------|---------------------|---------------------|---------------------|------------------|--------|
| Installation Ø                    | 1.5 mm <sup>2</sup> | 1.5 mm <sup>2</sup> | 1.5 mm <sup>2</sup> | 2.5 mm <sup>2</sup> | 1.5 mm <sup>2</sup> | 1.5 mm <sup>2</sup> | 1.5 mm <sup>2</sup> | 2.5 mm <sup>2</sup> | I <sub>max</sub> | Time   |
| <b>LC 44/1050/42 fixC SC ADV2</b> | 25                  | 35                  | 46                  | 60                  | 15                  | 21                  | 28                  | 36                  | 30 A             | 160 µs |

These are max. values calculated out of inrush current! Please consider not to exceed the maximum rated continuous current of the circuit breaker. Calculation uses typical values from ABB series S200 as a reference. Actual values may differ due to used circuit breaker types and installation environment.

#### 4.3 Harmonic distortion in the mains supply (at 230 V / 50 Hz and full load) in %

|                                   | THD  | 3.   | 5.  | 7.  | 9.  | 11. |
|-----------------------------------|------|------|-----|-----|-----|-----|
| <b>LC 44/1050/42 fixC SC ADV2</b> | < 15 | < 10 | < 7 | < 5 | < 5 | < 3 |

Acc. to 61000-3-2. Harmonics < 5 mA or < 0.6 % (whatever is greater) of the input current are not considered for calculation of THD.

## 5. Functions

### 5.1 Short-circuit behaviour

In case of a short circuit on the secondary side (LED) the LED driver switches off. After elimination of the short-circuit fault the LED driver will recover automatically.

### 5.2 No-load operation

The LED driver works in burst working mode to provide a constant output voltage regulation which allows the application to be able to work safely when LED string opens due to a failure.

### 5.3 Overload protection

If the maximum load is exceeded by a defined internal limit, the LED driver will protect itself and the output current will decrease till LED flicker. After elimination of the overload, the nominal operation is restored automatically.

## 6. Miscellaneous

### 6.1 Insulation and electric strength testing of luminaires

Electronic devices can be damaged by high voltage. This has to be considered during the routine testing of the luminaires in production.

According to IEC 60598-1 Annex Q (informative only!) or ENEC 303-Annex A, each luminaire should be submitted to an insulation test with 500 V<sub>DC</sub> for 1 second. This test voltage should be connected between the interconnected phase and neutral terminals and the earth terminal. The insulation resistance must be at least 2 MΩ.

As an alternative, IEC 60598-1 Annex Q describes a test of the electrical strength with 1500 V<sub>AC</sub> (or 1.414 x 1500 V<sub>DC</sub>). To avoid damage to the electronic devices this test must not be conducted.

### 6.2 Conditions of use and storage

Humidity: 5% up to max. 85%, not condensed (max. 56 days/year at 85%)

Storage temperature: -40 °C up to max. +80 °C

The devices have to be within the specified temperature range (t<sub>a</sub>) before they can be operated.

The LED driver is declared as inbuilt LED controlgear, meaning it is intended to be used within a luminaire enclosure. If the product is used outside a luminaire, the installation must provide suitable protection for people and environment (e.g. in illuminated ceilings).

### 6.3 Maximum number of switching cycles

All LED driver are tested with 50,000 switching cycles.

### 6.4 Additional information

Additional technical information at [www.tridonic.com](http://www.tridonic.com) → Technical Data

Lifetime declarations are informative and represent no warranty claim. No warranty if device was opened.